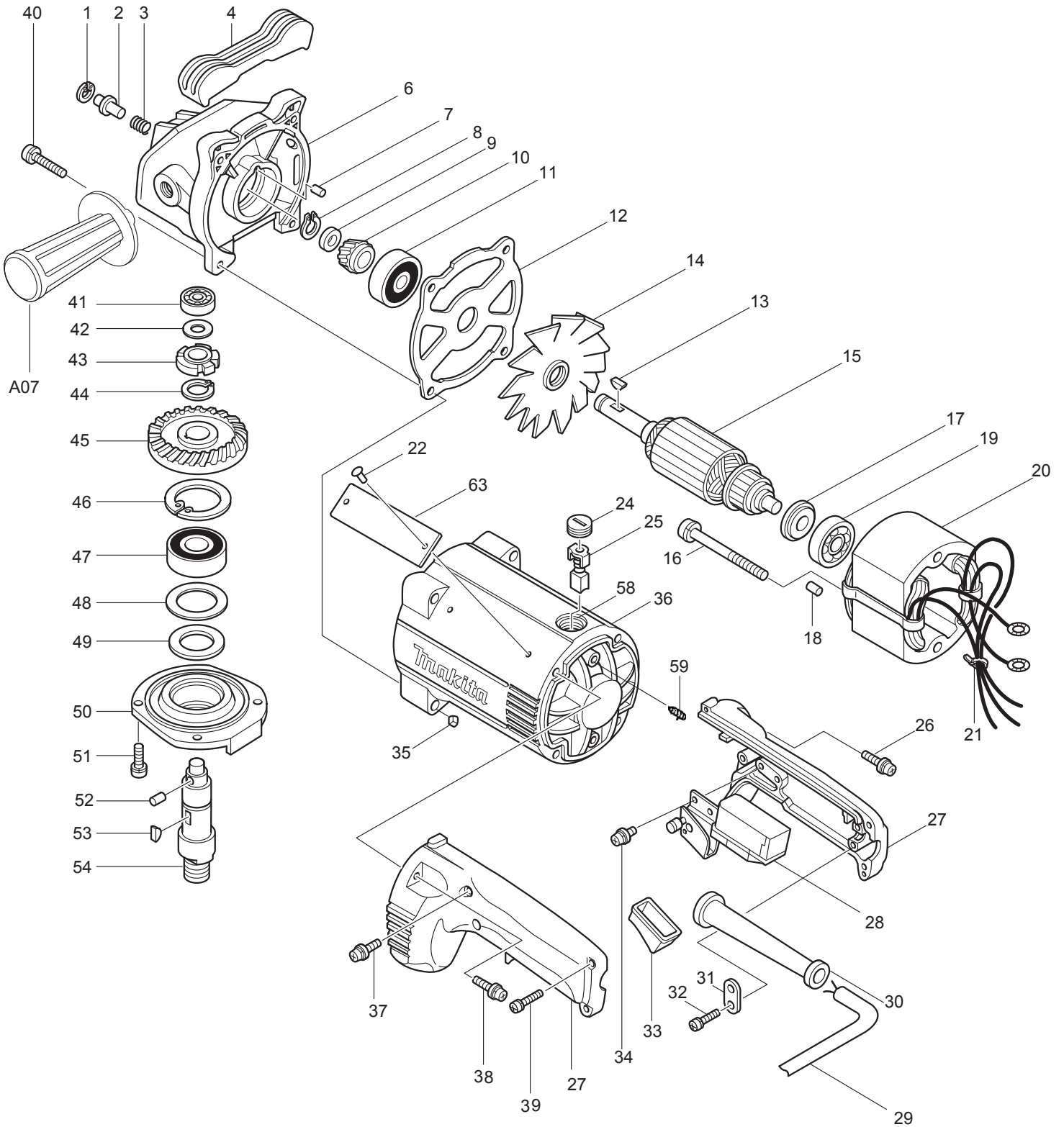




05 - 2010  
GA7910  
7" SANDER GRINDER  
(with Spindle Lock)



Item No.	Type	Sub	Part No.	Description	Qty	Unit
1			962062-5	Retaining Ring R-12	1	PC.
2			256615-3	Shaft Lock Pin 6	1	PC.
3			231037-8	Compression Spring 7	1	PC.
4			421156-0	Tool Rest	1	PC.
6	1		151806-0	Gear Housing - N/L/A	1	PC.
		INC.		Item No. 4, 7, 55		
6	2		156451-6	Gear Housing	1	PC.
		INC.		Item No. 4, 7, 55		
7			263005-3	Rubber Pin 6	1	PC.
8			961051-7	Retaining Ring S-11	1	PC.
9			257062-1	Ring 11	1	PC.
10			221322-7	Spiral Bevel Gear 17	1	PC.
11			211111-8	Ball Bearing 6301LLB	1	PC.
12			341403-2	Plate	1	PC.
13			254001-2	Woodruff Key 4	1	PC.
14			241312-4	Fan 100	1	PC.
15			514935-4	Armature Assy	1	PC.
		INC.		Item No. 14, 17, 19		
16			911290-9	P.H. Screw M5x65 (with Washer & Bond) (OLD# 925288-0)	2	PC.
17			681635-2	Insulation Washer	1	PC.
18			263002-9	Rubber Pin 4	1	PC.
19	1		211068-3	Ball Bearing 6200LB	1	PC.
	2		211090-0	Ball Bearing 6200LLB - N/L/A	1	PC.
	3		211087-9	Ball Bearing 6200DDW	1	PC.
20			520017-2	Field Assy (OLD# 624530-3)	1	PC.
		INC.		Item No. 23, 56		
21			687010-0	Band	1	PC.
22			953106-2	Rivet 0-5	2	PC.
23			654020-2	Garter Spring	2	PC.
24			643650-4	Brush Holder Cap	2	PC.
25	1		181047-4	Carbon Brush CB-154 2PCS/SET (W/O ORIGIN)	1	SET
	2		194986-9	Carbon Brush CB-154 2PCS/SET (W/ ORIGIN)	1	SET
26			911248-8	P.H. Screw M5x28	2	PC.
27	1		411500-9A	* Handle (R) - N/L/A	1	PC.
	2		183056-9	* Handle Set	1	SET
	3		181908-8	* Handle Set (with Dust Cover)	1	SET
28			651128-3	Switch AC/DC	1	PC.
29			664463-0	Cord With Plug 2P-14-2.5	1	PC.
30			682505-8	Cord Guard 10-90	1	PC.
31			687001-1	Strain Relief	1	PC.
32			911133-5	P.H. Screw M4x1 8 (With Washer)	2	PC.
33			421279-4	* Dust Cover (OLD)	1	PC.
34			911113-1	P.H. Screw M4x10	2	PC.
35			931202-6	Hex Nut M5	4	PC.
36			156452-4	Motor Housing Com.	1	PC.
		INC.		Item No. 58, 59		
37			911138-5	P.H. Screw M4x20	1	PC.
38			911248-8	P.H. Screw M5x28	2	PC.
39			911143-2	P.H. Screw M4x22	2	PC.
40			911261-6	P.H. Screw M5x40	4	PC.
41			211058-6	Ball Bearing 629LB	1	PC.
42			253214-2	Flat Washer 9	1	PC.
43			322465-9	Spindle Lock Bush (Old 325051-5)	1	PC.
44			961057-5	Retaining Ring S-17	1	PC.
45			221323-5	Spiral Bevel Gear 58	1	PC.
46			962157-4	Retaining Ring R-40	1	PC.

Item No.	Type	Sub	Part No.	Description	Qty	Unit
47			211256-2	Ball Bearing 6203LLB	1	PC.
48			253772-8	Flat Washer 28	1	PC.
49			443036-0	Felt Ring 25	1	PC.
50			315003-4	Bearing Box	1	PC.
51	1		911226-8	P.H. Screw M5x18 (TYPE 1)	4	PC.
	2		911230-7	P.H. Screw M5x18 (TYPE 2)	4	PC.
52			256047-4	Pin 6	1	PC.
53			254001-2	Woodruff Key 4	1	PC.
54			325301-8	5/8" Spindle (4-1/2" Long)	1	PC.
55			257056-6	Ring 6	1	PC.
56			654502-4	Solderless Connector P-2	2	PC.
58			643653-8	Brush Holder 6-10	2	PC.
59			913206-0	Set Screw M5x8	2	PC.
60			251259-4	P.H. Screw M5x16 (with Spring Washer)	2	PC.
62	1		342114-2	Wheel Cover Holder	1	PC.
	2		342555-2	Wheel Cover Holder	1	PC.
63			855857-2	NAME PLATE	1	PC.
100			652014-1	P.H. Screw M4x8	4	PC.
102			654005-8	Solderless Eye Terminal 2.0-M4	4	PC.
<b>ACCESSORIES</b>		<b>- See Catalogue or visit <a href="http://www.makita.ca">www.makita.ca</a> for other optional accessories -</b>				
A01			191214-3	7" Wheel Guard Assy	1	PC.
		INC.		Item No. 60, 62		
			191215-1	9" Wheel Guard Assy	1	PC.
		INC.		Item No. 60, 62		
A02			224111-9	Inner Flange 89 (For Wheel)	1	PC.
A03			224512-1	Lock Nut 5/8"-45 (For Wheel)	1	PC.
A04			743012-7	Rubber Pad (For Abrasive Disc)(Bulk)	1	PC.
			192978-2	Rubber Pad (Packaged)	1	PC.
A05			224517-1	Sanding Lock Nut 5/8"-48 (For Abrasive Disc) - N/L/A	1	PC.
			193048-0	Sanding Lock Nut 5/8"-48, (Packaged)	1	PC.
A06			224083-8	Inner Flange 45 (For Cut-Off Wheel)	1	PC.
A07	1		273404-1	Side Handle 37	1	PC.
	2		273455-4	Side Handle 37 (With Safety Flange) - N/L/A	1	PC.
	3		152492-0	Side Handle 36 (With Safety Flange)	1	PC.
A08			782412-6	Lock Nut Wrench 28 (For Lock Nut)	1	PC.
A09			191228-2	7" Accessory Kit	1	SET
		INC.		Item No. A01, A02, A03, A08 & A10		
			191231-3	9" Accessory Kit	1	SET
		INC.		Item No. A01, A02, A03, A08 & A10		
A10			741413-3	7" Depressed Center Wheel (Grit 24) - N/L/A	1	PC.
			741413-B	7" Depressed Center Wheel (Grit A24)	1	PC.
			741416-7	7" Depressed Center Wheel (Grit 36)	1	PC.
			741421-4	9" Depressed Center Wheel (Grit 24)	1	PC.
			741421-B	9" Depressed Center Wheel (Grit A24)	1	PC.
			741422-2	9" Depressed Center Wheel (Grit 36)	1	PC.
A11			----	7" Abrasive Disc (See Catalogue for Details)	1	PC.
A12			----	Wire Cup Brush (See Catalogue for Details)	1	PC.
A13			792172-2	7" Abrasive Cut-Off Wheel (Grit 36) 5/PK	1	PK
A14			224111-9X	Reusable Adaptor	1	PC.
A15			224111-9D	Throwaway Adaptor	1	PC.

**SERVICE CHANGES**

**1. Changes on Handle Set**

<b>Item No.</b>	<b>Description</b>	<b>Type 1</b>	<b>Type 2</b>	<b>Type 3</b>
27	Handle (R) / SET	411500-9A (R)	183056-9 (SET)	181908-8 (SET) includes Dust cover
	HAndle (L) / SET	411501-7A (L)		
33	Dust cover	421279-4 (or 421152-8)		-----

Above parts are completely interchangeable as a set.